

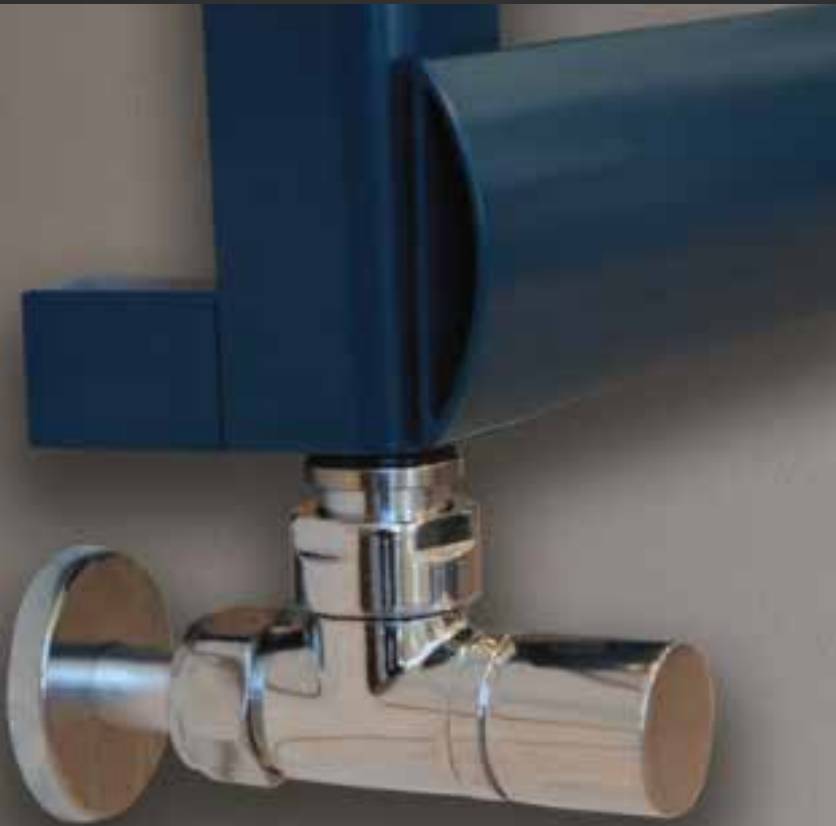
---

# Ov Al Horizontal

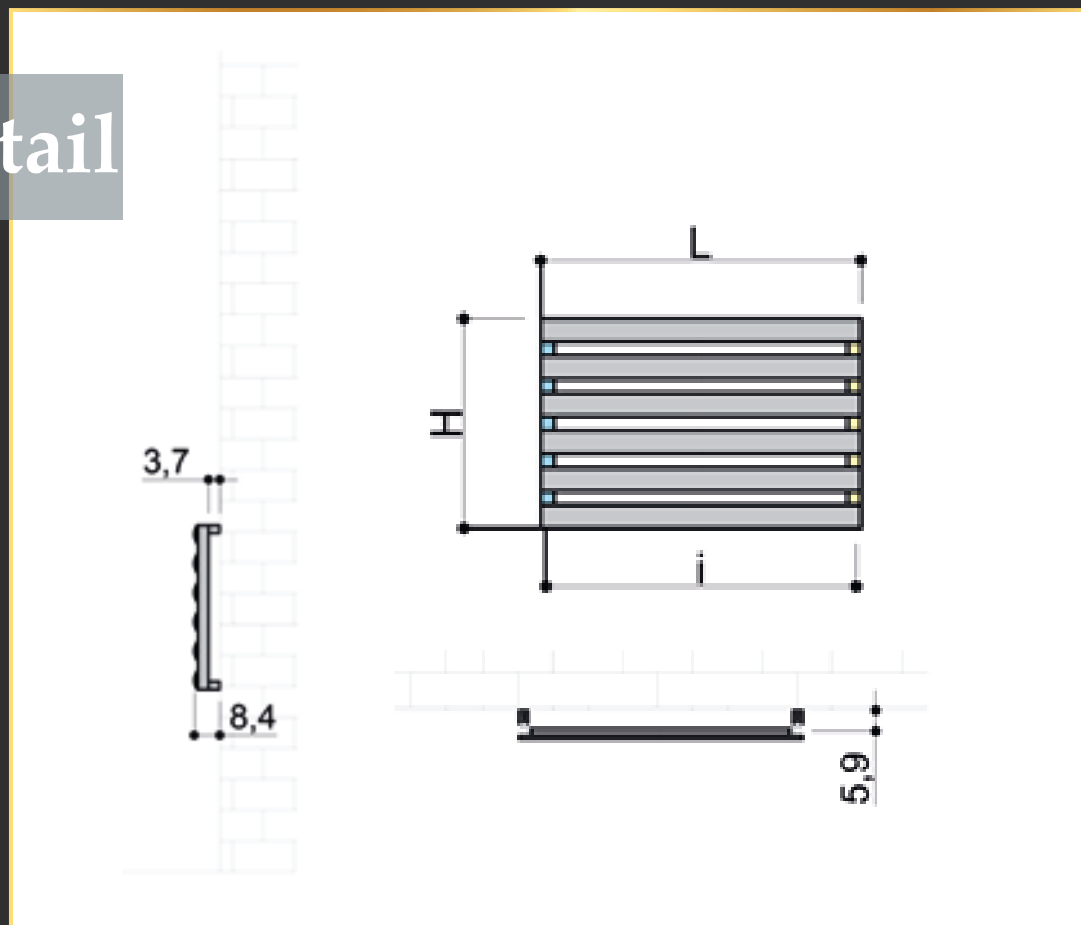
---

Creating The horizontal version of the OV-AL BATH radiator ideal to be installed above the bathtub and on large size walls.

# OV **AL** Horizontal



## Technical Detail



codice code	versione feeding	n numero tubi tube number	H altezza height	L larghezza width	i interasse center to center distance	Qs (W) resa termica versione acqua thermal yield		Q potenza elettrica electrical power	peso a vuoto weight empty (kg)	contenuto d'acqua water content (lt)
			(mm)	(mm)	(mm)	Dt 30°C	Dt 50°C	(watt)		
091.1.050080.22		6	540	826	800	194	378		5,9	1,205
091.1.050120.22				1226	1200	292	566		7,7	1,605
091.1.050150.22				1526	1500	364	708		8,8	1,905
091.1.050180.22				1826	1800	437	850		10,1	2,255
091.2.050080.22		6	540	826	800			300		
091.2.050120.22				1226	1200			400		
091.2.050150.22				1526	1500			500		
091.2.050180.22				1826	1800			600		



Max. working pressure  
4 bar



Max. working temperature/  
90 °C



Mounting kit included/

Hydraulic connections





# EDGES

WARMING YOUR STYLISH LIVING



01271119640



[www.edgessolar.com](http://www.edgessolar.com)



[info@solaredges.com](mailto:info@solaredges.com)



2 ext 26th July St, Lebanon Square Mohandsen , El-Hawary Tower Giza Egypt