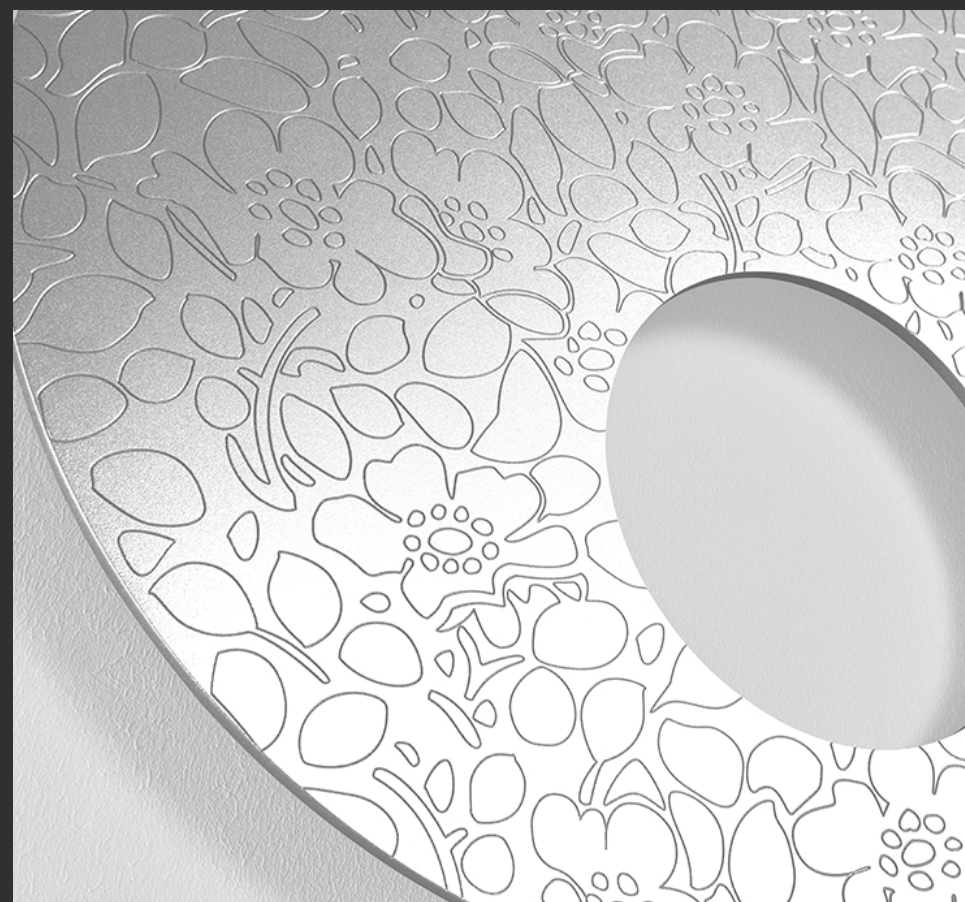


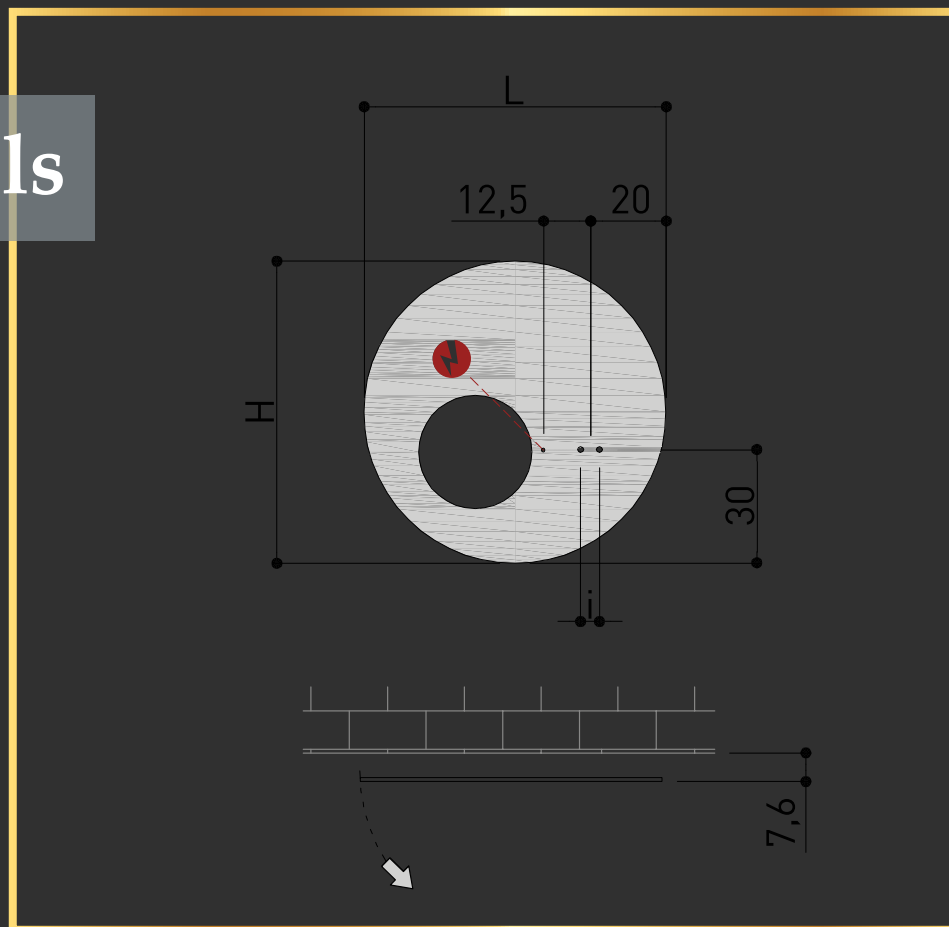
Flower Power

Flower Power



The Flower Power excellence, a real and proper work of art. The emblem of design combined with functionality. The infinite configuration possibilities make it a real and proper furnishing accessory. In the patented version with door opening, the technology remains hidden, but perceptible thanks to the high thermal yield.

Technical Details



| codice code | versione feeding | n numero elementi elements number | H | L | i | Qs (W) | | Q | peso a vuoto weight empty | contenuto d'acqua water content |
|-----------------|---------------------|---|-------------------|--------------------|--|---|---------|---|------------------------------------|--|
| | | | altezza height | larghezza width | interasse center to center distance | resa termica versione acqua thermal yield | | potenza elettrica electrical power | | |
| | | | (mm) | (mm) | (mm) | Dt 30°C | Dt 50°C | (watt) | (kg) | (lt) |
| 100.1.080080.22 | | 1 | 800 | 800 | 50 | 185 | 341 | | 12,0 | 0,2 |
| 100.1.100100.22 | | | 1000 | 1000 | | 289 | 533 | | 19,0 | 0,3 |
| 100.2.080080.22 | | 1 | 800 | 800 | | | | 480 | 12,0 | |
| 100.2.100100.22 | | | 1000 | 1000 | | | | 720 | | |



Max. working
pressure
4 bar



Max. working
temperature/
90 °C



Mounting kit
included/

Hydraulic connections



EDGES

WARMING YOUR STYLISH LIVING



01271119640



www.solaredges.com



info@solaredges.com



2 ext 26th July St, Lebanon Square Mohandsen, El-Hawary Tower Giza Egypt