

Cares X

 **ARISTON**

Cares X



Wall-hung compact boiler
Very high efficiency (up to 93,8%, 24FF)
LCD display and intuitive menu
Ariston Netready for
Addition of a thermostatic mixing valve allows the connection
with a natural circulation solar water heater
The boiler is already equipped for the domestic hot water production
Connection of on-off thermoregulation accessories allows the heating programming for the whole week
Suitable for heating large spaces
Best materials available to guarantee high reliability and very long lifecycle
Boiler protection from water impurities accumulation with the addition of heating return filter
Anti-freezing systems preventing freezing and scale accumulation
The external combustion analysis port allows easy check of combustion quality



CUBE ROOM SENSOR
OUTDOOR SENSOR
included



PERFORMANCE
CERTIFICATE

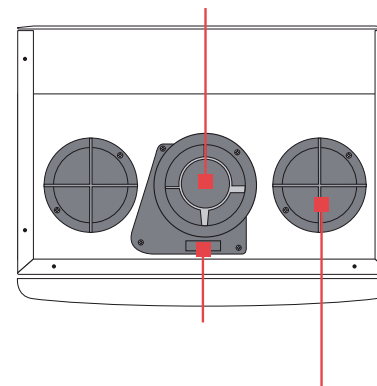
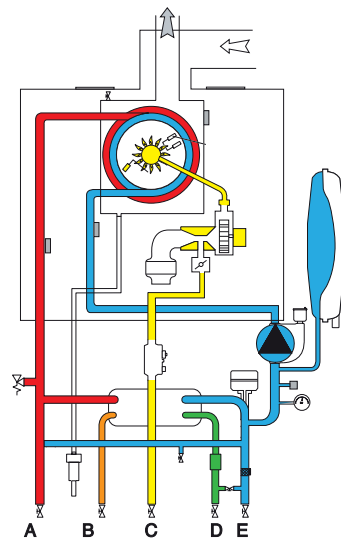
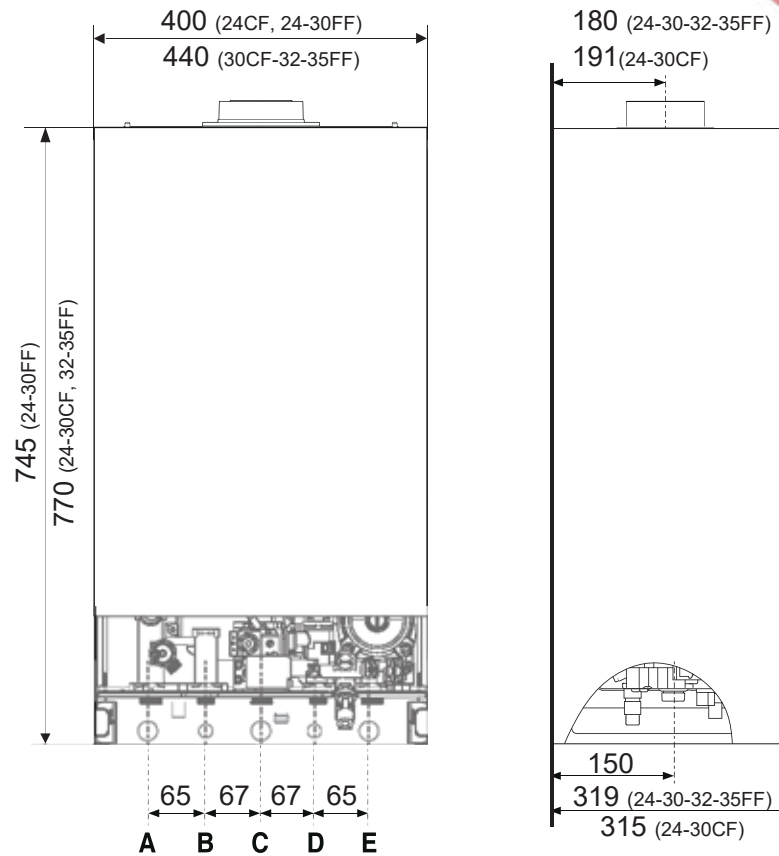
www.fuv.com
10 500058320



Technical Details

LEGEND

- A \ Central Heating Flow
- B \ Domestic Hot Water Outlet
- C \ Gas Inlet
- D \ Domestic Cold Water Inlet
- E \ Central Heating Return



EDGES

WARMING YOUR STYLISH LIVING



01271119640



www.Solaredges.com



info@solaredges.com



2 ext 26th July St, Lebanon Square Mohandsen , El-Hawary Tower Giza Egypt