



Ariston Solar Heater



Kairos Thermo CF

 **ARISTON**
The home of sustainable comfort



Italian Style

Indirect flat solar water heater

ADVANCED PERFORMANCE

Optimal stratification process to achieve higher performances and a faster heating

More hot water thanks new tubes position for 300-2 model

EVERLASTING QUALITY

Each component of solar water heater (collector, tank and installation kit) is 100% made to last

Solar Keymarkcertification

Total safety guaranteed by solar circuit safety valve and thermostat*, by collector tempered glass and by installation kit robustness

Every single component and the complete solar water heater are carefully and strictly tested on quality, efficiency and performances

ITALIAN STYLE

Easy installation thanks to "insert and click" connections between collector and hydraulic kit

New funnel for an easy filling of solar circuit

Wide range of mounting kits to fit each kind of installation

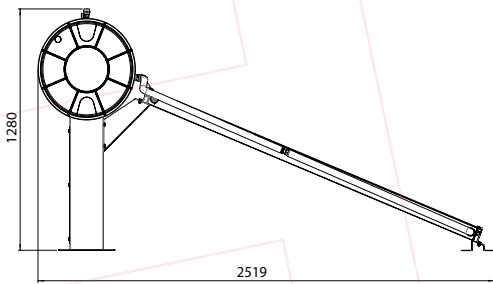
Designed & produced in Italy

*only for electro solar version

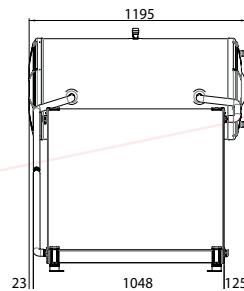


Kairos Thermo CF

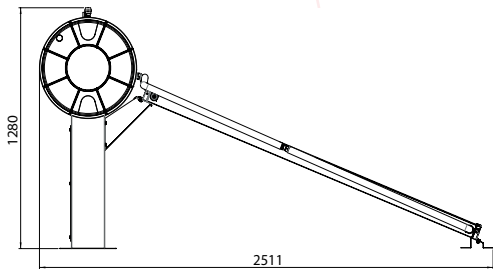
Kairos Thermo CF Technical Details



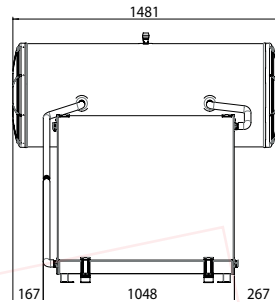
150-1



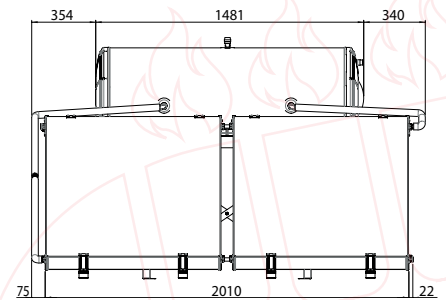
150-1



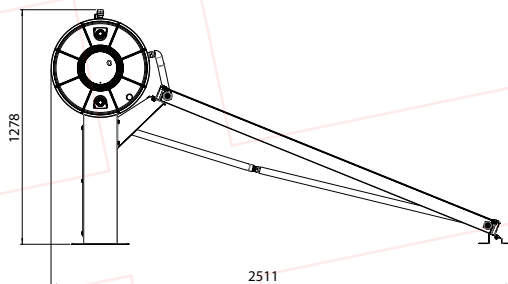
200-2



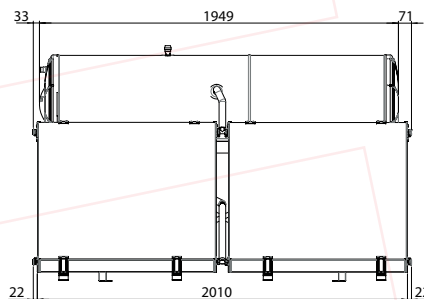
200-1



200-2



300-2



300-2

Kairos Thermo HF



 **ARISTON**
The home of sustainable comfort

Italian Style

Natural circulation solar system for the production of domestic hot water

PERFORMANCES

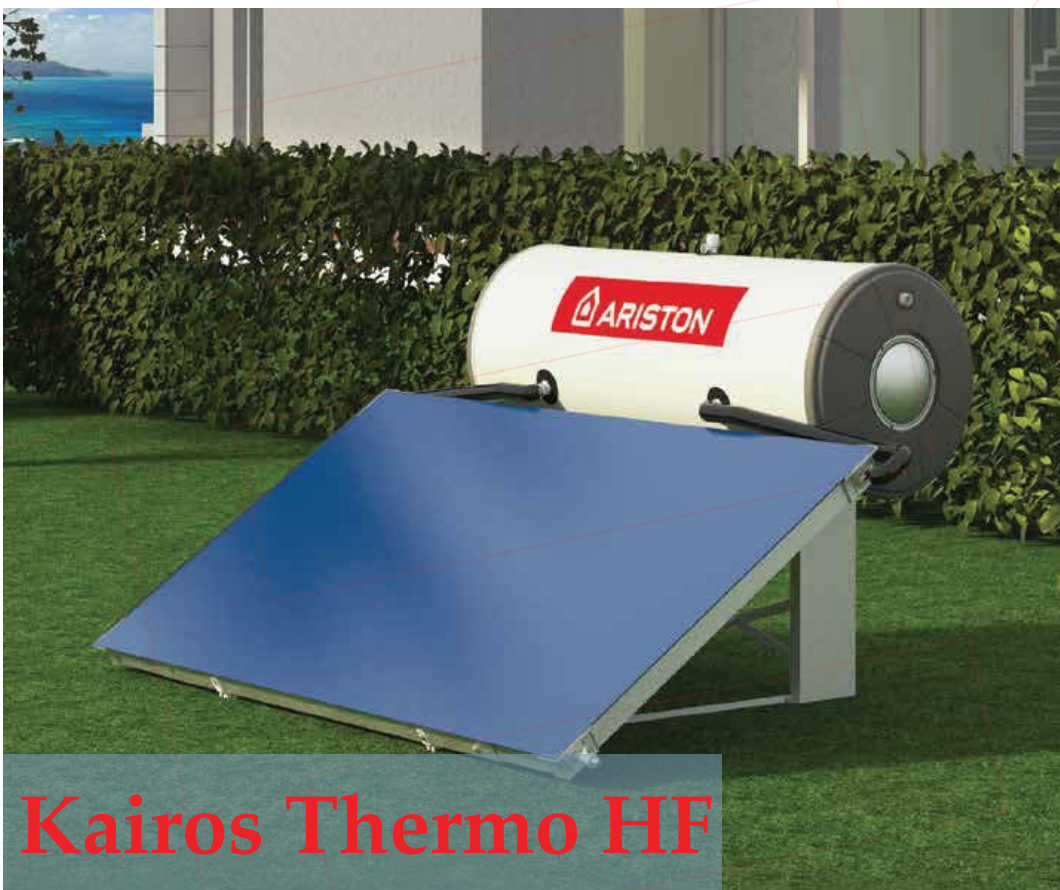
- / Optimized heat exchanger that allows a very quick production of domestic hot water;
- / The blue selective surface treatment forgives very high performances with the 95% absorption and only 5% reflection;

DESIGN AND TECHNOLOGY

- / Accurate study of the lines, and of the external shape;
- / The new o-ring connection allows a very quick installation, even eliminating the risk to damage the hydraulic connection kit;

QUALITY

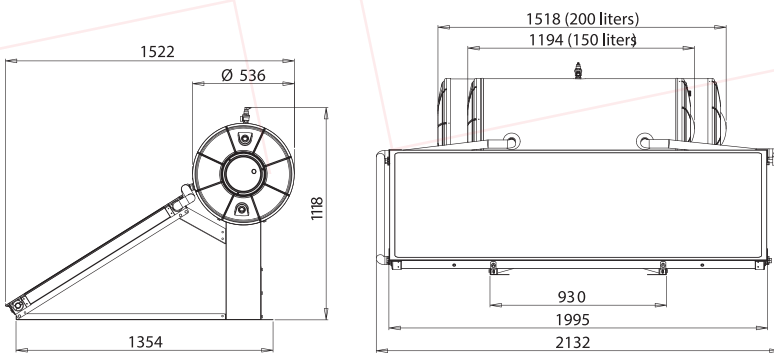
- / The special tempered glass with low content iron assures very high protection against the hail, and against the collector's loading;
- / Solar key mark and the test report according EN 12975-2.



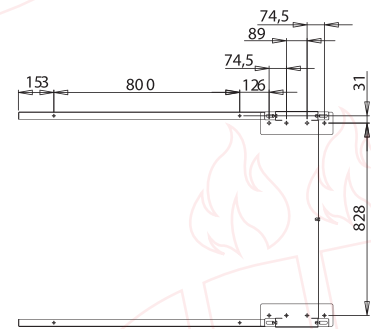
Kairos Thermo HF

Kairos Thermo HF

Technical Details

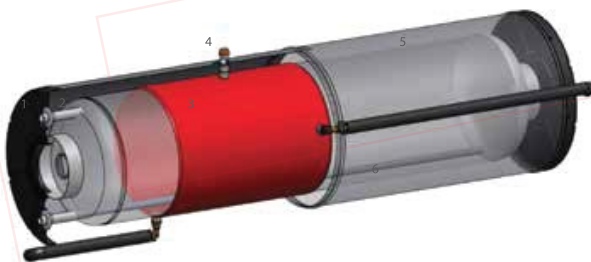


These drawings refer to 150/1 and 200/1 models



These drawings refer to 200/2 and 300/2 models

- 1 - Low dispersion polyurthean insulation free of CFC & HCFC
- 2 - Steel tank with exclusive titanium-based enamel treatment
- 3 - Annular heat exchanger
- 4 - 1,5 solar safety valve
- 5 - Extrenal tank in prepainted zinc-steel
- 6 - Cold water distrubtion lance
- 7 - New o-ring connection



Kairos Thermo DR



 **ARISTON**
The home of sustainable comfort

Italian Style

Direct flat solar water heater

ADVANCED PERFORMANCE

More hot water thanks to direct solar water heating technology

Increased tank insulation to guarantee long-lasting hot water storage

Stable water temperature during withdrawal thanks to optimized tank stratification

Tailored solar range for sun belt countries

EVERLASTING QUALITY

Each component of the solar water heater (collector, tank and installation kit) is 100% made to last

Total safety guaranteed by tank safety valve and thermostat*, by collector tempered glass and installation kit robustness

Every single component and the complete solar water heater are carefully and strictly tested on quality, efficiency and performances

ITALIAN STYLE

Easy installation thanks to "insert and click" connections between collector and hydraulic kit

Wide range of mounting kits to fit each kind of installation need
Designed in Italy

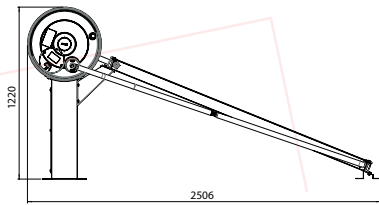
*only for electro solar version



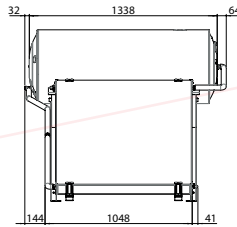
Kairos Thermo DR

Kairos Thermo DR

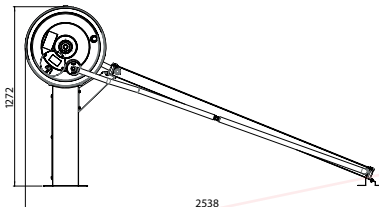
Technical Details



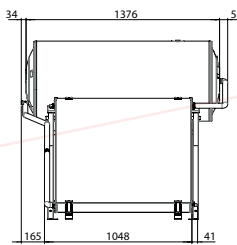
150-1



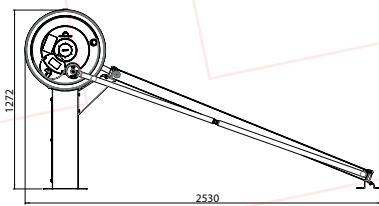
150-1



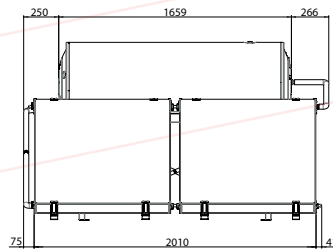
200-1



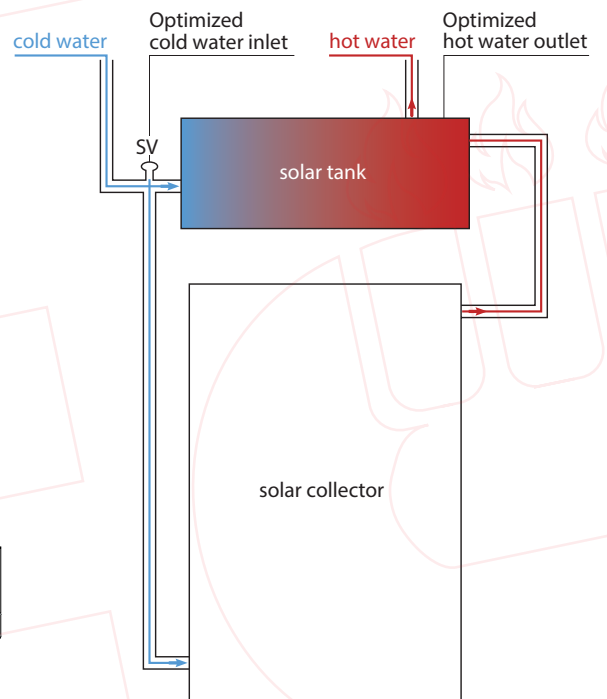
200-1



250-2



250-2



EDGES

HEATING SYSTEMS

+2 0110 177 7751

www.EdgesHeating.com

Info@solaredges.com

2 Ext 26 July St . Lebnan Sq .

El Hawary Tower , Mohandessin

Giza 12654 - Egypt



@Edges Heating Systems & Solar Energy



@EdgesSolar