

Genus One

 **ARISTON**



Genus One



**Top of the range condensing boiler
and connectivity as standard**

- / New stainless steel XTRTM heat exchanger exclusive* to Ariston, with high head
- / Heat exchanger flow settings 100% compared to previous version
- / Large touchscreen display

- / Ignition system, electronic combustion control
- / Gas transformation from the technician menu
- / Classe A+ heating achievable with thermal regulation
- / Modulation ratio 1:10

- / Ariston NET connectivity included, thanks to the Cube S NET thermostat
- / BusBridgeNet[®] communication protocol

- / **AUTO**, Comfort functions
- / New **CARE** function, automatic scheduled maintenance reminder
- / Internal sound absorbing panels

- / Installation in partially protected areas
- / Flue gas discharge 80, 60, 50 mm



CUBE ROOM SENSOR
OUTDOOR SENSOR
included



PERFORMANCE
CERTIFICATE

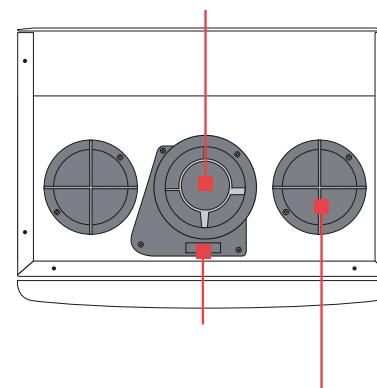
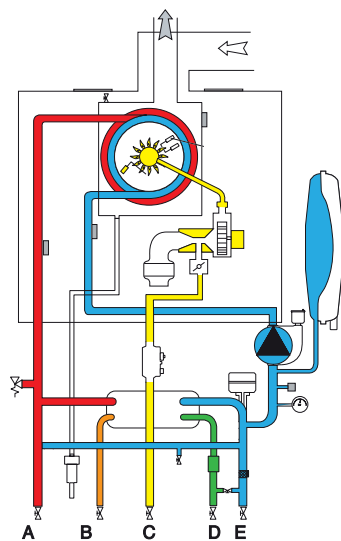
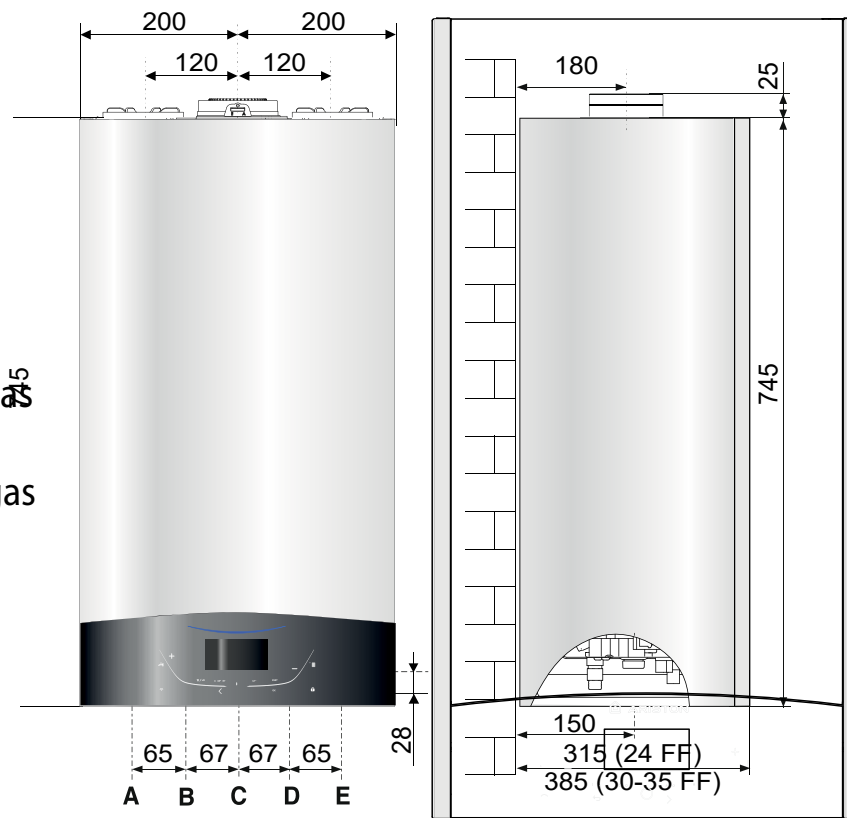
www.fuv.com
10 00005820



Technical Details

KEY:

- A \ System flow Ø 3/4" gas
- B \ Domestic hot water outlet Ø 1/2" gas
- C \ Gas inlet Ø 3/4" gas
- D \ Domestic hot water intake Ø 1/2" gas
- E \ System return Ø 3/4" gas



EDGES

WARMING YOUR STYLISH LIVING



01271119640



www.Solaredges.com



info@solaredges.com



2 ext 26th July St, Lebanon Square Mohandsen , El-Hawary Tower Giza Egypt