

Class one

 **ARISTON**



Class One



Condensing boiler with Auto function

- / New stainless steel XtraTTM heat exchanger exclusive* to Ariston, with high head
- / Heat exchanger flow section **42%** compared to previous version
- / LCD Display
- / Classe A+ heating achievable with thermal regulation
- / Modulation ratio 1:7
- / BusBridgeNet[®] communication protocol
- / AUTO, Comfort functions
- / Optimised internal silencer
- / Installation in partially protected areas
- / Flue gas discharge 80, 60, 50 mm



CUBE ROOM SENSOR
OUTDOOR SENSOR
included



PERFORMANCE
CERTIFICATE

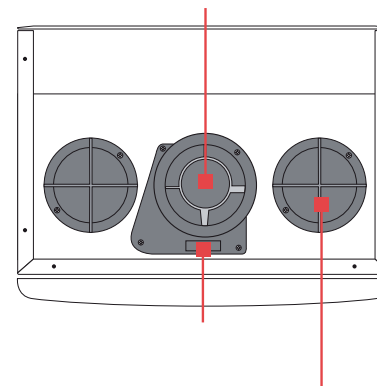
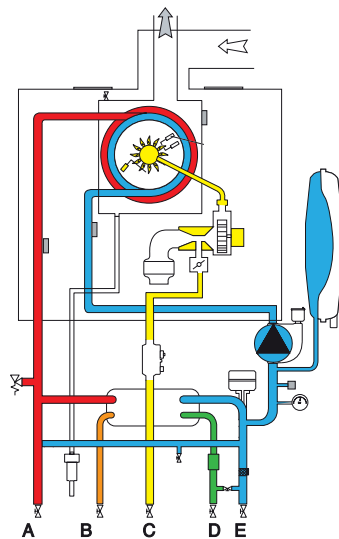
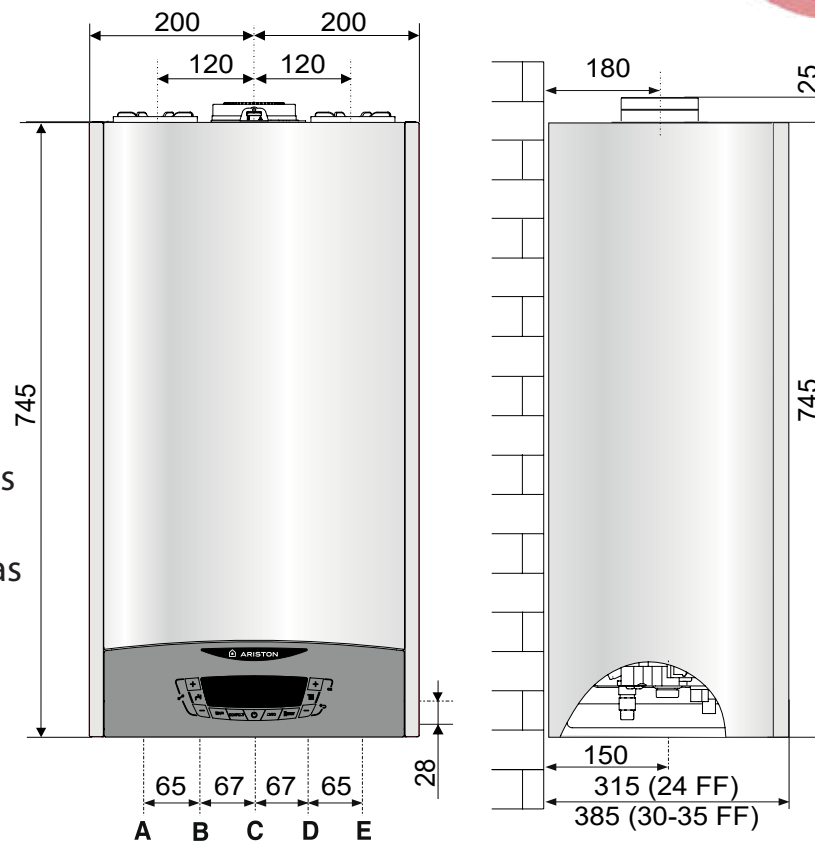
www.fuv.com
ID 500058520



Technical Details

KEY:

- A \ System flow Ø 3/4" gas
- B \ Domestic hot water outlet Ø 1/2" gas
- C \ Gas inlet Ø 3/4" gas
- D \ Domestic Hot water intake Ø 1/2" gas
- E \ System return Ø 3/4" gas



EDGES

WARMING YOUR STYLISH LIVING



01271119640



www.Solaredges.com



info@solaredges.com



2 ext 26th July St, Lebanon Square Mohandsen , El-Hawary Tower Giza Egypt