

Class X

 **ARISTON**



Class X



Compact wall-mounted conventional boiler with AUTO function

**LCD panel
High-efficiency circulator pump with continuous modulation (model CF EU)**

**Configured for Ariston Net connectivity
Bridgenet® bus communication protocol
Configured for multi-zone and multi-temperature temperature control
Configured for use with solar heating systems**

AUTO and Comfort functions

**Aluminium finned primary heat exchanger
Cold water inlet and heating return filters
Low NOx emissions < 56 mg/kWh
(model CFEU)**



**CUBE ROOM SENSOR
OUTDOOR SENSOR
included**



PERFORMANCE
CERTIFICATE

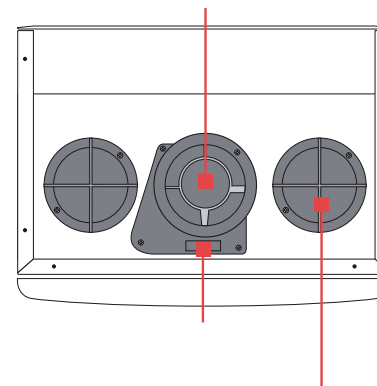
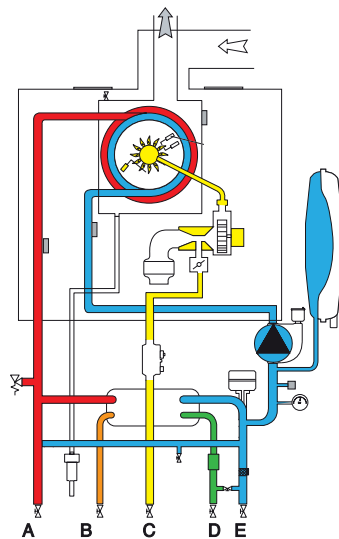
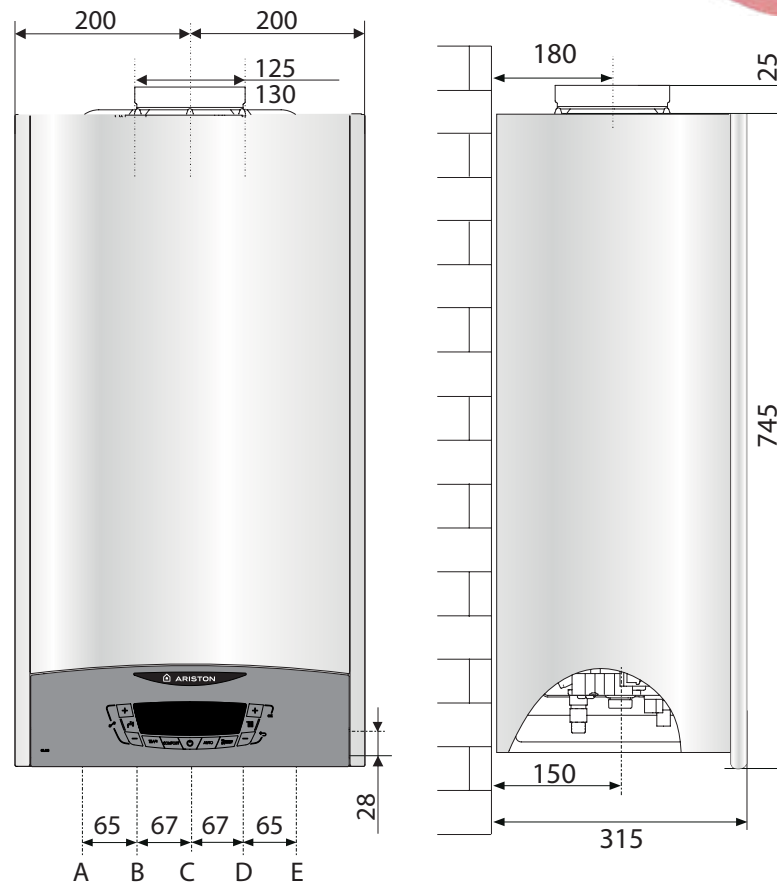
www.fuv.com
10 00005820



Technical Details

KEY

- A \ System delivery Ø 3/4" gas
- B \ Domestic hot water Ø 1/2" gas
- C \ Gas inlet Ø 3/4" gas
- D \ Domestic hot water inlet Ø 1/2" gas
- E \ System return Ø 3/4" gas



EDGES

WARMING YOUR STYLISH LIVING



01271119640



www.Solaredges.com



info@solaredges.com



2 ext 26th July St, Lebanon Square Mohandsen , El-Hawary Tower Giza Egypt