

Alteas One

 **ARISTON**



Alteas One



Top of the range condensing boiler, Italian design and integrated connectivity

New stainless steel XtraTechTM exchanger exclusive* to Ariston, with high head Heat exchanger flow section 42% compared to previous version
Scratch-proof tempered glass panel
Large touchscreen display

Ignition system, electronic combustion control
Gas transformation from the technician menu
Classe A+ heating, thanks to the Cube thermostat and outdoor sensor, included as standard
Modulation ratio 1:10

Ariston NET connectivity included with the boiler
BusBridgeNet® communication protocol

AUTO, Comfort functions
New CARE function, automatic scheduled maintenance reminder
Internal sound absorbing panels

Installation in partially protected areas
Flue gas discharge 80, 60, 50 mm



CUBE ROOM SENSOR
OUTDOOR SENSOR
included



PERFORMANCE
CERTIFICATE

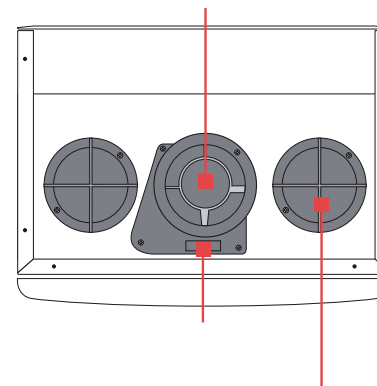
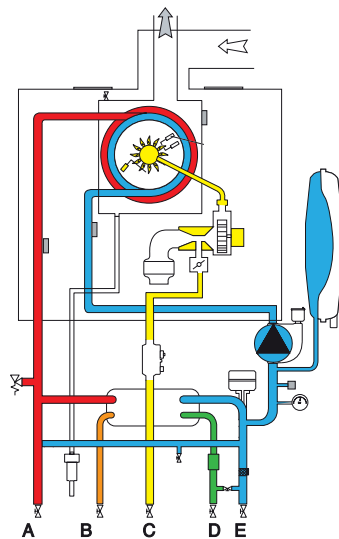
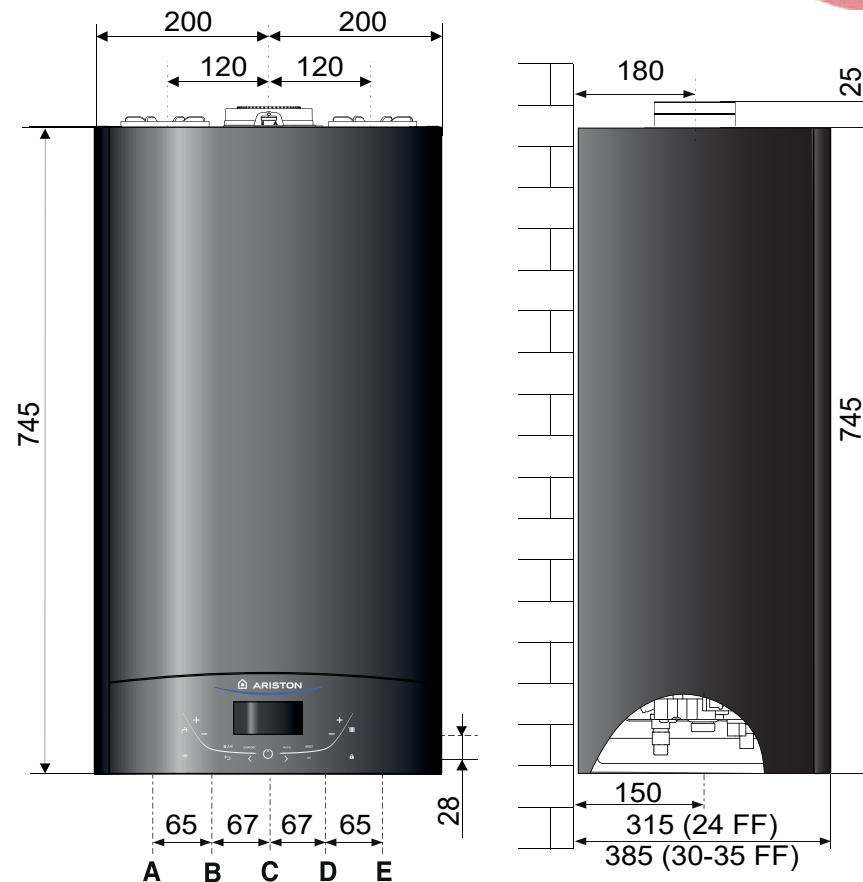
www.tuv.com
ID 000056520



Technical Details

KEY:

- A \ System flow Ø 3/4" gas
- B \ Domestic hot water outlet Ø 1/2" gas
- C \ Gas inlet Ø 3/4" gas
- D \ Domestic hot water intake Ø 1/2" gas
- E \ System return Ø 3/4" gas



EDGES

WARMING YOUR STYLISH LIVING



01271119640



www.Solaredges.com



info@solaredges.com



2 ext 26th July St, Lebanon Square Mohandsen , El-Hawary Tower Giza Egypt