

Alteas X

 **ARISTON**

Alteas X



Wall-hung compact boiler with AUTO function

Very high efficiency (up to 93,6%, 24FF)
Ready to be used with renewable sources for hot water production
Best enjoyable design of its category
High resolution LCD display with full text, touch interface and intuitive menu

BusBridgeNet® communication protocol
Ariston Net embedded (Wi-Fi gateway on board)
Very good acoustic comfort thanks to the new optimized silence

“AUTO function”, constant temperature for the maximum thermic comfort
“Comfort Function”, instantaneous hot water, for 30', after first withdrawal, reducing waiting times

TIMER PROGRAMMING
Best materials available to guarantee high reliability and very long lifecycle
Boiler protection from water impurities
Anti-freezing systems preventing freezing accumulation and scale accumulation
With its IPX5D, the protection, against water jet streams
(only FF version)



CUBE ROOM SENSOR
OUTDOOR SENSOR
included



PERFORMANCE
CERTIFICATE

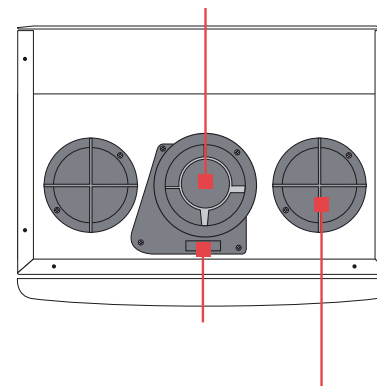
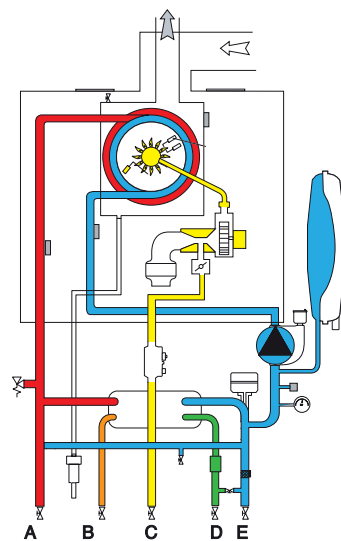
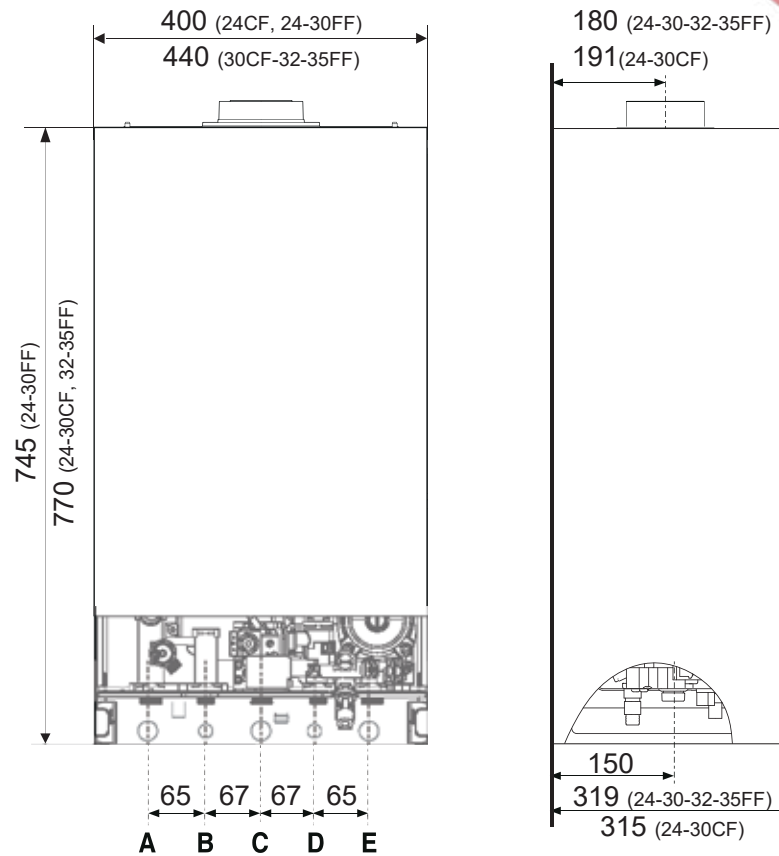
www.fuv.com
10 00005820



Technical Details

LEGEND

- A \ Central Heating Flow
- B \ Domestic Hot Water Outlet
- C \ Gas Inlet
- D \ Domestic Cold Water Inlet
- E \ Central Heating Return



EDGES

WARMING YOUR STYLISH LIVING



01271119640



www.Solaredges.com



info@solaredges.com



2 ext 26th July St, Lebanon Square Mohandsen , El-Hawary Tower Giza Egypt